

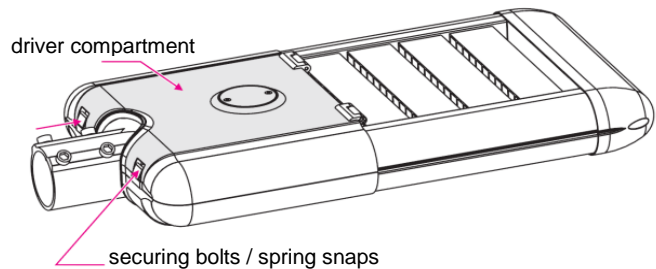
IMPORTANT SAFETY INFORMATION

Read all instructions before installation

- Before installing this fixture or doing any maintenance, make sure to turn off the power supply at the circuit breaker or fuse box.
- Do not handle energized module with wet hands or when standing on wet or damp surfaces, or in water.
- **WARNING – RISK OF ELECTRIC SHOCK. SUITABLE FOR WET LOCATIONS. MIN 60°C SUPPLY CONDUCTORS.**

INSTALLATION INSTRUCTIONS

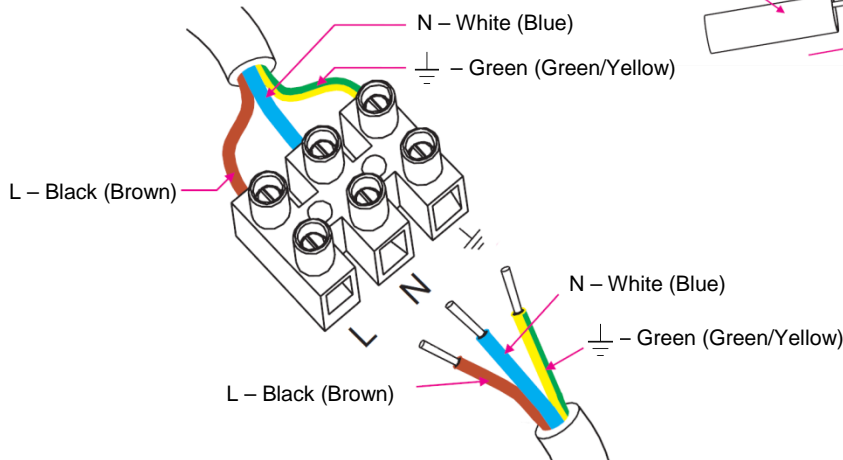
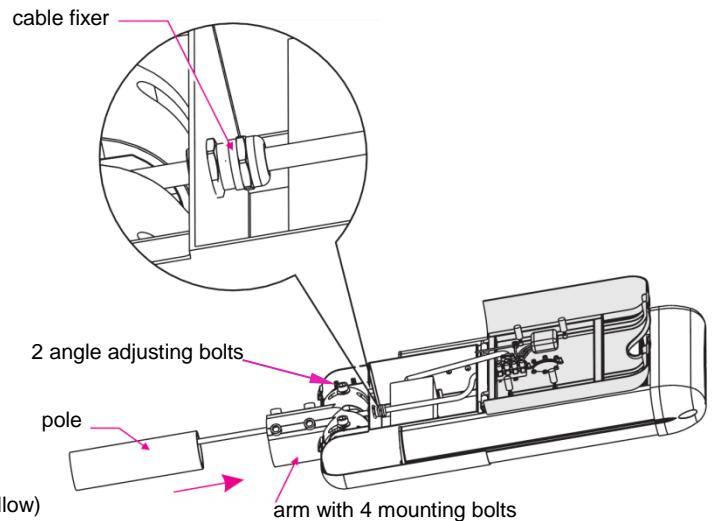
- 1 Use screw driver to remove securing bolts (or press down the spring snaps at two sides, if applicable) and open the driver compartment cover.
- 2 Preset the desired fixture installation angle with two adjusting bolts located under the driver compartment cover.
Feed the electric cable (min 18 AWG) through the fixture's mounting arm and through the cable fixer.



- 3 Mount the fixture on the pole and secure with 4 mounting bolts provided.

Luminaire is designed to mount to 2" (51mm) IP (2.38" [61mm] O.D.) tenons.

- 4 Connect wires as shown in wiring diagram.
Tighten the cable fixer to ensure water tightness.
Close the driver compartment cover and secure it with securing bolts (or spring snaps, if applicable).
Tighten all 4 mounting bolts on the arm.



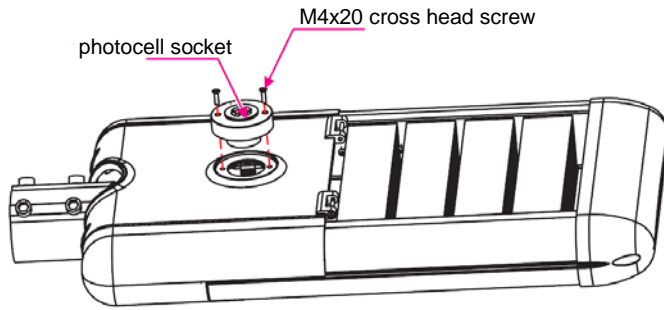
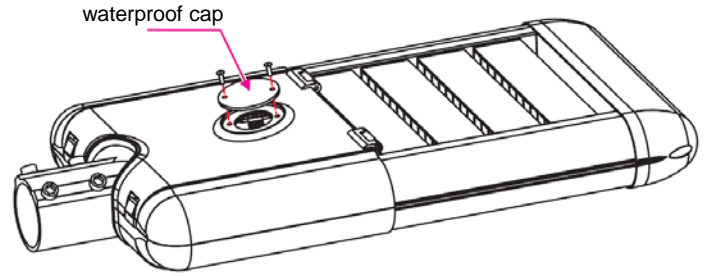
www.nightsky-led.com



Scan the QR Code to get more information about the Products, IES Files and Photometric Reports.
All information is subject to change without notice.
© are Registered Trademarks of their respective owners.
™NightSky LED is the Trademark of BDS Industrial Solutions Inc.
©2012 BDS Industrial Solutions Inc. All rights reserved.
Rev. 04/13

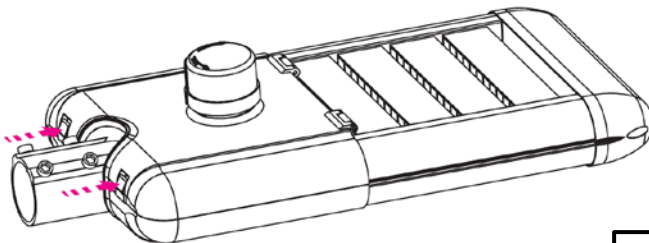
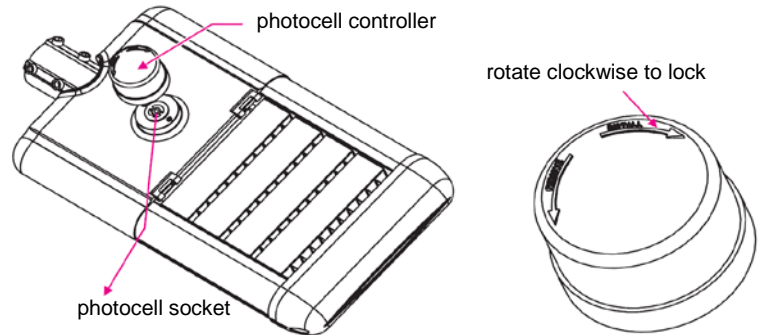
PHOTOCELL INSTALLATION INSTRUCTIONS

- 1 Use screw driver to remove waterproof cap from the driver compartment cover.



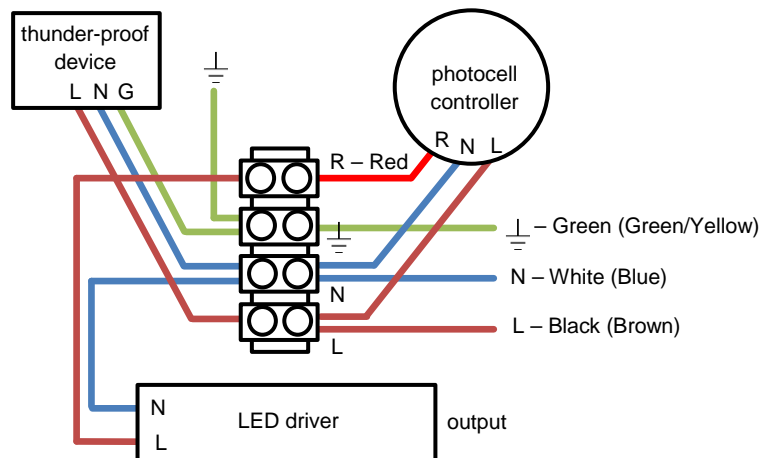
- 2 Insert the photocell socket into the opening. Align the marks with the true North direction. Mount the photocell socket with M4x20 screws. Ensure that the gasket is pressed firmly to ensure water tightness.

- 3 Insert the photocell controller into the photocell socket. Press down and rotate clockwise to lock socket in position. The photocell sensor window should face true North.



- 4 Use screw driver to remove securing bolts (or press down the spring snaps at two sides, if applicable) and open the driver compartment cover.

- 5 Connect wires as shown in wiring diagram. Close the driver compartment cover and secure it with securing bolts (or spring snaps, if applicable).



FIXTURE LIMITED CONSUMER WARRANTY

The limited warranty set forth below is given by BDS Industrial Solutions Inc. ("Seller") with respect to the lighting fixture product packaged with this limited warranty (the "Product"). Your Product, when delivered to you in new condition in its original packaging, is warranted against defects in materials or workmanship as follows: for a period of five (5) years from the date of original purchase, defective parts or a defective Product returned with the sales receipt as proof of purchase to Seller, or its authorized service providers, as applicable, and proven to be defective upon inspection, will be repaired, or exchanged for a new Product, as determined by Seller, or the authorized service provider. This limited warranty covers all defects encountered in normal use of the Product, and does not apply in the following cases: Loss of or damage to the Product due to abuse, mishandling, alteration, accident, electrical current fluctuations, failure to follow operating, maintenance or environmental instructions prescribed by the Seller in writing or services performed by someone other than Seller or its authorized service provider.

WARRANTY IS VOID IF PRODUCT IS NOT USED FOR THE PURPOSE FOR WHICH THIS PRODUCT IS MANUFACTURED.

Any complaints you may have regarding the Product should be addressed to BDS Industrial Solutions Inc., 209 – 8988 Fraserton Court, Burnaby, BC V5J 5H8, Canada.