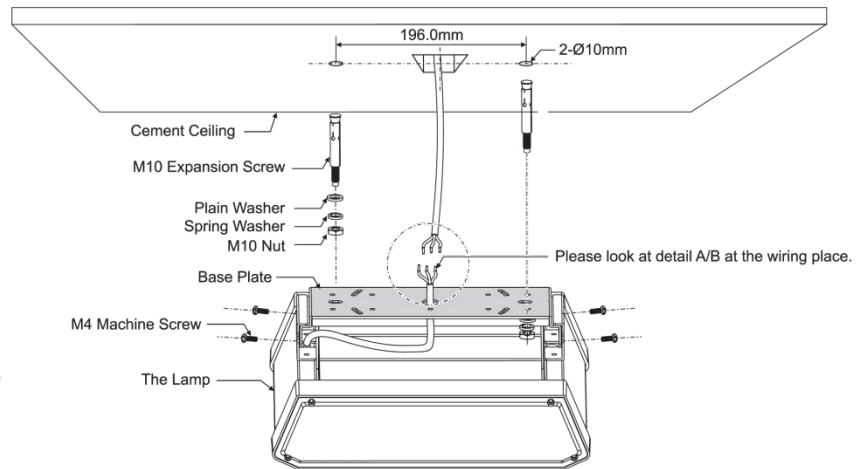
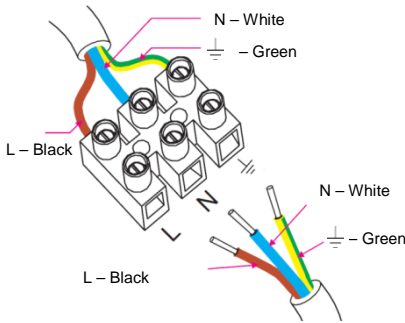


### IMPORTANT SAFETY INFORMATION

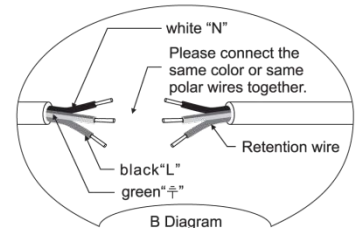
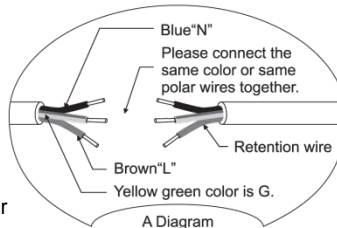
#### Read all instructions before installation

- Before installing this fixture or doing any maintenance, make sure to turn off the power supply at the circuit breaker or fuse box.
- Do not handle energized module with wet hands or when standing on wet or damp surfaces, or in water.
- **WARNING – RISK OF ELECTRIC SHOCK. SUITABLE FOR WET LOCATIONS. MIN 60°C SUPPLY CONDUCTORS.**

## INSTALLATION INSTRUCTIONS



- 1 Drill two holes in the ceiling with electrical drill. Spacing as shown in the sketch.  
Remark: The length of M10 expansion screw and the depth of the hole should be over 60mm
- 2 Tap the M10 screws into the holes just as the sketch shows.
- 3 Loosen M4 machine screws and then remove the base plate out.
- 4 Pass the power supply wire through the hole of base plate as the sketch shows.
- 5 Connect the lamp power supply wire with retention wire, then make insulation and water-proof processing. Please, look at detail A/B at the wiring place.  
(Please, connect wires as per appropriate color of power cords as shown in A/B diagram.)
- 6 Then tighten base plate with M10 nut.
- 7 Lock the lamp on the base plate with four M4 Machine screws.
- 8 In accordance with CSA250/UL1598 fixtures weighing more than 4.5 kg (10lbs) must have additional installation support e.g. chain, hinges, hook, capable of holding the luminaire's weight during installation or field inspection.



[www.NightSky-LED.com](http://www.NightSky-LED.com)

Size	H014T	H028T	H042T	H056T	H070T	H084T	H098T	H112T	H126T	H140T
	1	2	3	4	5	6	7	8	9	10
L	208 mm	240 mm	302 mm	364 mm	426 mm	488 mm	550 mm	612 mm	674 mm	736 mm
W	330 mm	330 mm	330 mm	330 mm	330 mm	330 mm	330 mm	330 mm	330 mm	330 mm
H	129 mm	129 mm	129 mm	129 mm	129 mm	129 mm	129 mm	129 mm	129 mm	129 mm

#### FIXTURE LIMITED CONSUMER WARRANTY

The limited warranty set forth below is given by BDS Industrial Solutions Inc. ("Seller") with respect to the lighting fixture product packaged with this limited warranty (the "Product"). Your Product, when delivered to you in new condition in its original packaging, is warranted against defects in materials or workmanship as follows: for a period of five (5) years from the date of original purchase, defective parts or a defective Product returned with the sales receipt as proof of purchase to Seller, or its authorized service providers, as applicable, and proven to be defective upon inspection, will be repaired, or exchanged for a new Product, as determined by Seller, or the authorized service provider. This limited warranty covers all defects encountered in normal use of the Product, and does not apply in the following cases: Loss of or damage to the Product due to abuse, mishandling, alteration, accident, electrical current fluctuations, failure to follow operating, maintenance or environmental instructions prescribed by the Seller in writing or services performed by someone other than Seller or its authorized service provider.

WARRANTY IS VOID IF PRODUCT IS NOT USED FOR THE PURPOSE FOR WHICH THIS PRODUCT IS MANUFACTURED.

Any complaints you may have regarding the Product should be addressed to BDS Industrial Solutions Inc., 209 – 8988 Fraserton Court, Burnaby, BC V5J 5H8, Canada.



Scan the QR Code to get more information about the Products, IES Files and Photometric Reports.  
All information is subject to change without notice. © are Registered Trademarks of their respective owners.  
™NightSky LED is the Trademark of BDS Industrial Solutions Inc.  
©2013 BDS Industrial Solutions Inc. All rights reserved. Rev. 04/13

